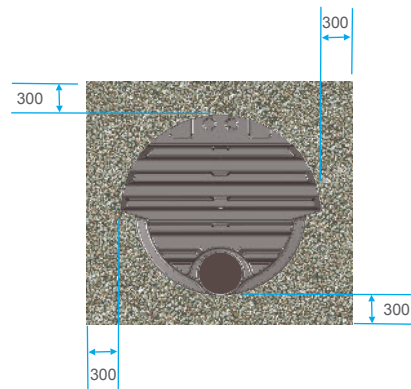
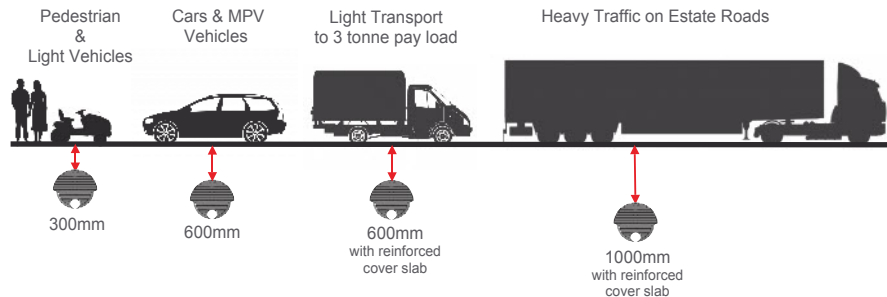




Stormpod & Aquapod

Cover, Loadings and Backfill detail.



Both the Storm and Aquapod require the same backfill details :

Using S1 type (5 to 40mm graded stone). The pods should be laid on a minimum bed of 300mm stone and then using shuttering or a battered trench, ensure that the pods have a minimum 300mm side fill and top fill of 300mm as shown opposite.

* In pedestrian areas only that have free draining soil that is proven not to flood, pods can be installed in as dug material, ensuring that they have a minimum 300mm cover.